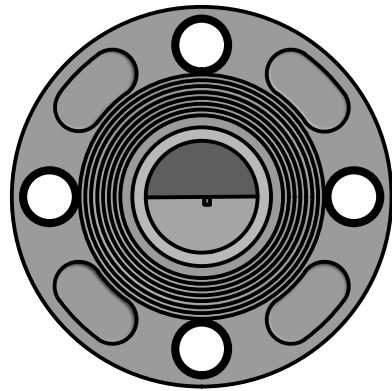


Spiral Retaining Ring Allows for Servicing of Mixing Component

PARTS LIST		
ITEM	QTY	DESCRIPTION
1	1	2 Inch Schdule 40 PVC Pipe
2	1	316 SS Mixing Component
3	1	2" 150 Class Slip On Flange
4	1	2" 150 Class Slip On Flange - With Slot For Spiral Retention Ring
5	1	Standard 2.5 Inch Spiral Retainig Ring



DRAWN J. Perino	7/12/2021	FLUID FILTRATION MFG. CORP.	
CHECKED			
QA			
MFG			
APPROVED			
		TITLE 2 Inch PVC Static Mixer	
		SIZE B	DWG NO 2 Inch PVC Static Mixer
		SCALE 1/3	REV 0
		SHEET 1 OF 1	